

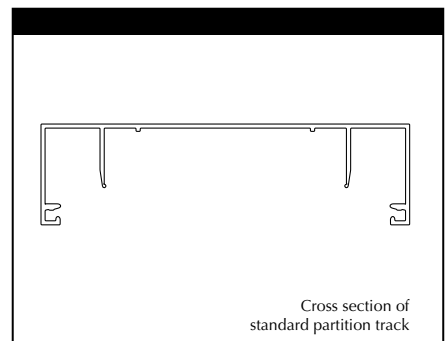
Versatrac R-System Stock Extrusions, Clips and Accessories

Extrusions are available in 300 series (for 3 3/4" walls) and 400 series (for 4 7/8" walls). Standard finishes are Satin Metallic Bronze, Satin Black, Satin White Baked Enamel, and Clear Anodized. Bronze and Black Anodized finishes are available on special order.

[Standard face is 1 1/2" wide with 9/32" return.]

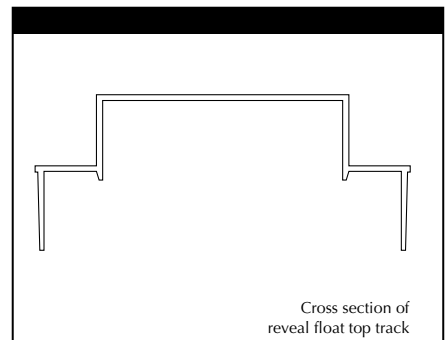
Standard partition track used in place of conventional ceiling drywall channel provides a rigid wall mounting member and decorative ceiling trim. For top track frames, borrowed lites and sidelites; acts as header for door frame and glazing extrusions. Functions as top cap for partial height wall partition. Has alignment pin channel.

Part number: 303R/403R
Standard length: 10'7"
Box quantity: 303R-(8) 403R-(6)



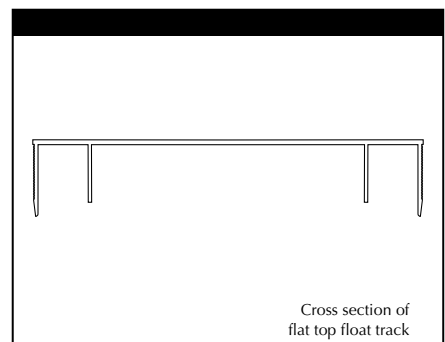
Reveal float top track replaces conventional drywall runner and metal "L" to create an accurate 3/4" reveal. Furnished in standard black painted finish.

Part number: 310/410
Standard length: 12'1"
Box quantity: 310-(18) 410-(16)

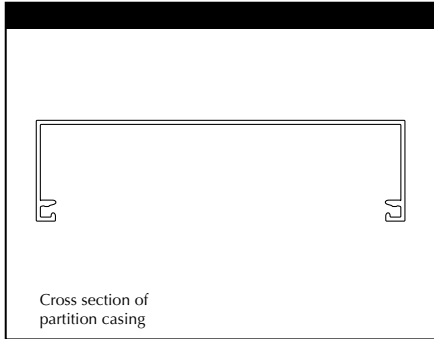


Flat top float track takes the place of the conventional ceiling runner and metal trim "L" to give an excellent wall/ceiling alignment. Can be used with Versatrac standard head frames. Furnished in mill finish.

Part number: 303F/403F
Standard length: 12'1"
Box quantity: 18



Stock Extrusions, Clips and Accessories

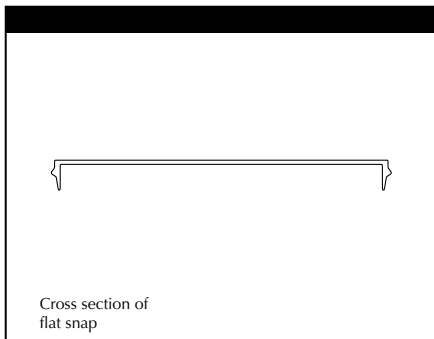


Partition casing is used for cased openings and double acting frames. Can be incorporated as header for sliding glass units. Serves as a vertical end cap for wall ending at columns or window mullions. Can be used as top cap for partial height walls in lieu of top track. Has alignment pin channel.

Part number: 313R/413R

Standard lengths: 9'2"/18'4"

Box quantity: 313R-(8); 413R-(6)

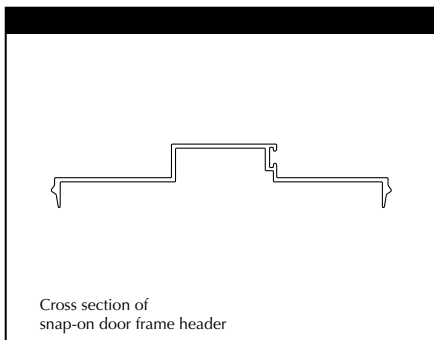


Flat snap acts as closure plate for top track and partition casing. Functions as snap-on header for cased opening.

Part number: 312R/412R

Standard lengths: 9'2"

Box quantity: 312R-(28); 412R-(32)

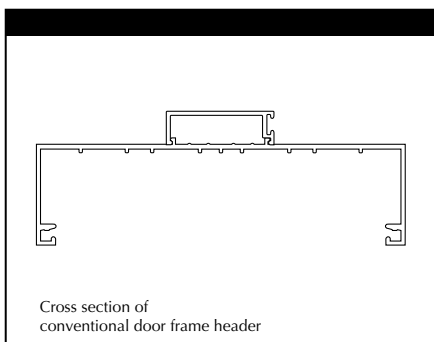


Snap-on door frame header functions where frame is used with sidelites and top track installations.

Part number: 305R/405R

Standard lengths: 9'2"

Box quantity: 12



Conventional door frame header for regular or ceiling height door frames. Can be fabricated to specified width and furnished with jamb attachment clips. Can be used with float type track No. 310, No. 410, No. 303F, and No. 403F..

Part number: RAF-1

Standard lengths: Fabricated to length as required

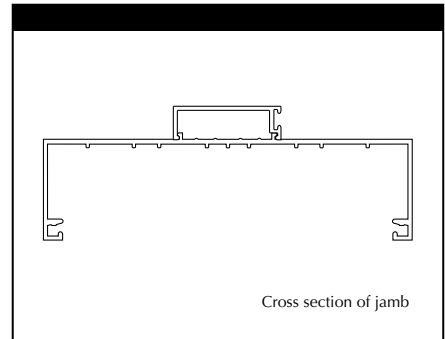
Box quantity: 12

Stock Extrusions, Clips and Accessories

Hinge and strike jambs for use with top track or sidelite frames as well as conventional frames. Can be fabricated to length and handed as specified. Standard hardware preparation can be made for three 4 1/2" standard weight butt hinges and 4 7/8" or 2 3/4" strike. See Framing Systems section for complete details.

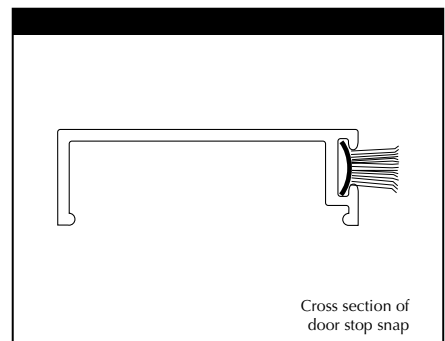
Part number: RAF-2/RCH-2 (Hinge)
RAF-3/RCH-3 (Strike)

Standard lengths: Jambs over 8'0" supplied with 2" extra length unless specified otherwise



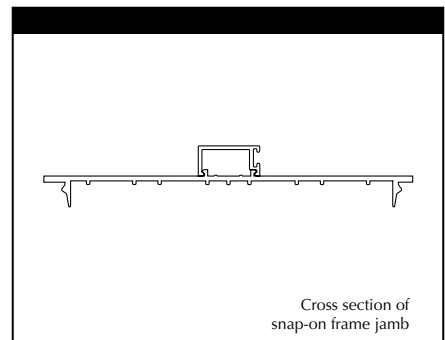
Door stop snap shown in combination with door frame header and hinge/strike jamb. Includes black mohair sound seal.

Part number: 302R/402R
Standard lengths: 9'2"



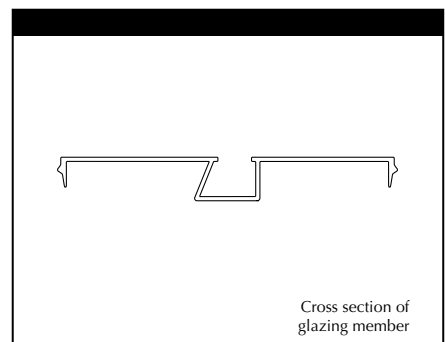
Snap-on frame jamb for use with corner mullions to hang door at glass intersection, and with standard jamb for hanging two doors on one jamb member. Can also be used with glazing base to form transom bar.

Part number: 314R/414R
Standard length: 9'2"

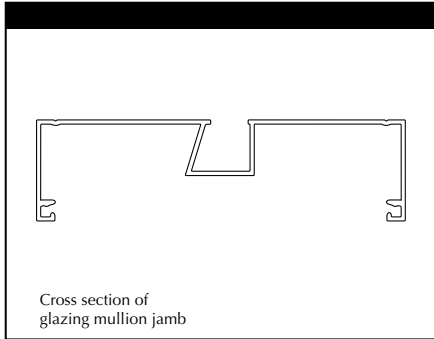


Glazing member fits jambs, all mullions and top tracks. For 1/4" or 3/8" glass.

Part number: 307R/407R
Standard lengths: 9'2" / 12'0"
Box quantity: 307R-(16); 407R-(14)

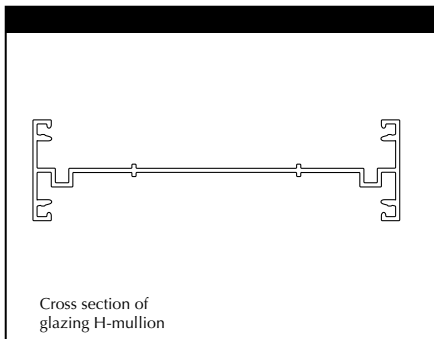


Stock Extrusions, Clips and Accessories



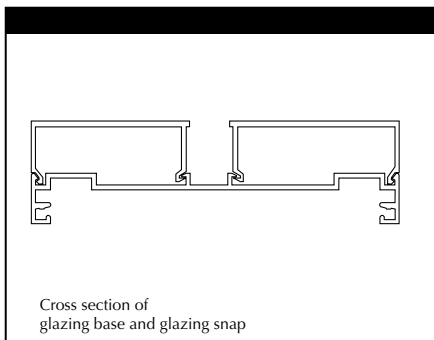
Glazing mullion/jamb acts as mullion for glass, or as jamb where glass and drywall meet. For 1/4" or 3/8" glass.

Part number: 306R/406R
Standard lengths: 9'2" / 12'0"
Box quantity: 306R-(8); 406R-(6)



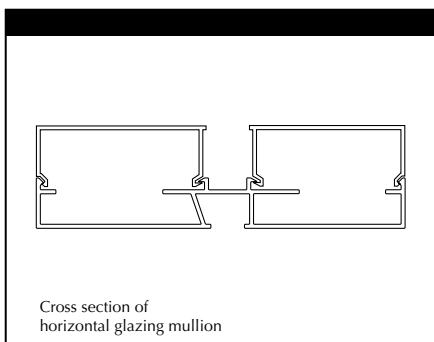
Glazing H mullion fits No. 314R/414R, RCH-4, and No. 307R/407R snap-on sections; has rib guide for installation of drywall stud. Can be used as a mullion, separating glass units where glass and drywall meet. Can also be used for partition that ends at a round column, or as a special application header.

Part number: 311R/411R
Standard lengths: 9'2" / 12'0"
Box quantity: 311R-(7); 411R-(5)



Glazing base and glazing snap fit snap-on sections. Designed as sill for sidelites and borrowed lites. Can be used as header for partial height solid partitions which have glass to ceiling. For 1/4" or 3/8" glass.

Part number: 308R/309R/309RL
 408R/409R/409RL
Standard lengths: 10'7"
Box quantity: 308R/309R/309RL-(8)
 408R/409R/409RL-(6)



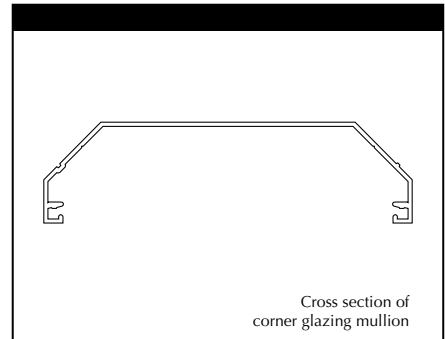
Horizontal glazing mullion is a combination of glazing member and glazing snap used as a horizontal mullion for 1/4" or 3/8" glass.

Part number: 308M/309R/309RL
 408M/409R/409RL
Standard lengths: 10'7"
Box quantity: 308R/309R/309RL-(8)
 408R/409R/409RL-(6)

Stock Extrusions, Clips and Accessories

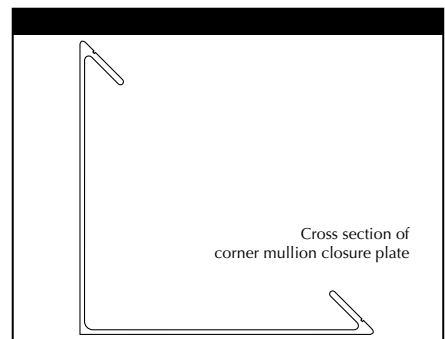
Corner glazing mullion for glass partitions at corner and intersections. Two mullions can be used with various closure plates and wedges to form 90°, 120° and 135° corners. Three mullions with plate form a glass wall intersection. Four mullions form a four-way intersection. Corner mullion will accept snap-in door jamb No. 314R or No. 414R.

Part number: 325R/425R
Standard length: 9'2"
Box quantity: 325R-(8); 425R-(6)



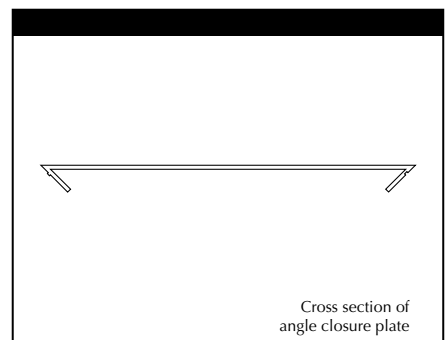
Corner mullion closure plate for use with two No. 325R or No. 425R corner mullions to form a 90° corner in a glass partition.

Part number: 326R/426R
Standard length: 9'2"



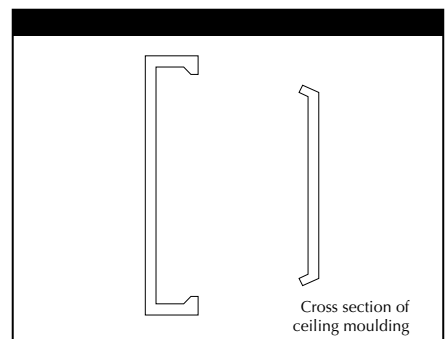
Angle Closure Plate for use with three corner mullions to form 3-way intersection in partition

Part number: 327R/427R
Standard length: 9'2"

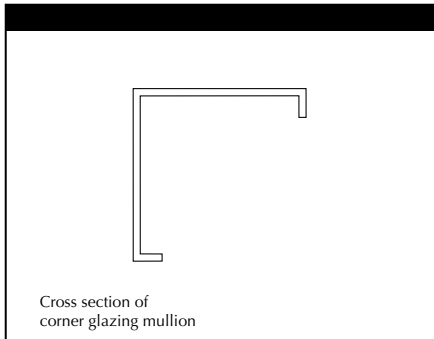


Ceiling moulding matches appearance of top track with same return. Snaps on with wall clip No. 332. Furnished with eight 2 1/2" clips for each twelve foot length.

Part number: 333 and 332 clips
Standard length: 12'0"
Box Quantity: 42



Stock Extrusions, Clips and Accessories

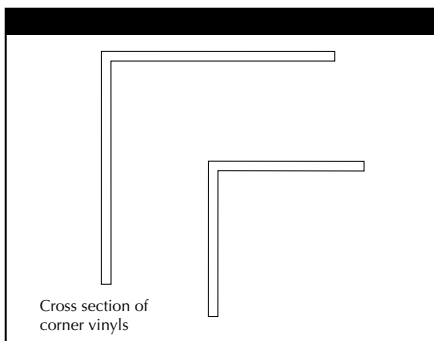


Outside corners: No. 337 1 1/2" corner with 9/32" return to match top track trim, applied with adhesive.

Part number: 337

Standard length: 8'11"

Box Quantity: 337-(18)



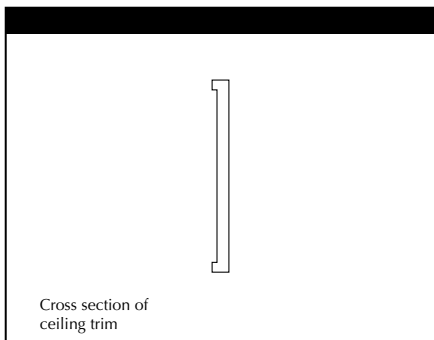
Outside corner vinyl No. 336VO, 1 1/2" x 1 1/2", can also function as top trim; applied with adhesive, and furnished in bronze or black.

Inside corner vinyl No. 336VI, 1" x 1", applied with adhesive, and furnished in bronze or black.

Part number: 336VO and 336VI

Standard length: 10'0"

Box Quantity: 75



Ceiling trim 1 1/2" matches Versatrac components. Applied with adhesive, and furnished in bronze or black.

Part number: 336V

Standard length: 10'0"

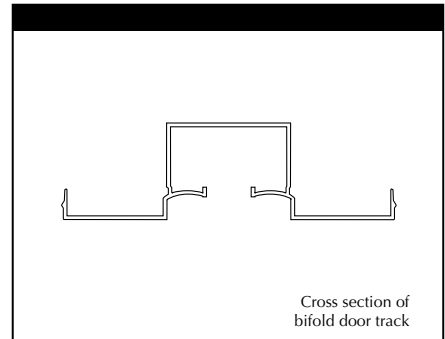
Box quantity: 75

Also available in 50' rolls.

Stock Extrusions, Clips and Accessories

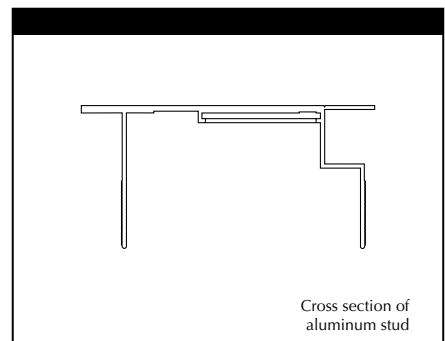
Bifold door track gives finished appearance when used with 300 or 400 series track. See Bifold, Bypass, Pocket tab for complete details.

Part number: 350R/450R
Standard lengths: 8'2"



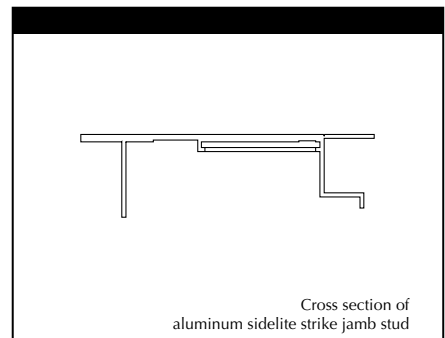
Aluminum stud 304/404, for 5/8" drywall is furnished in mill finish for attachment directly to drywall or other panels. Groove in back accepts header clip K-10 for jamb attachment to sidelite header. For simplicity and ease of installation, strike and hinge studs are the same extrusion shape.

Part number: 304/404



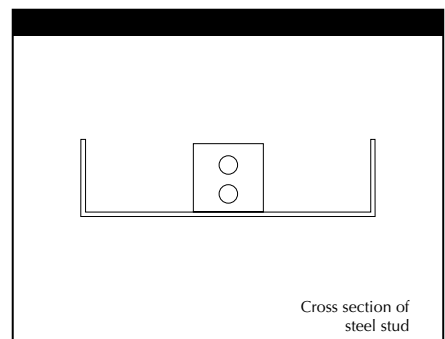
Aluminum sidelite strike jamb stud has short legs to accommodate glass sidelites. Furnished full length and attached to frame; in mill finish.

Part number: 322/422
Standard lengths: 8'11"
Box quantity: 322-(24); 422-(18)

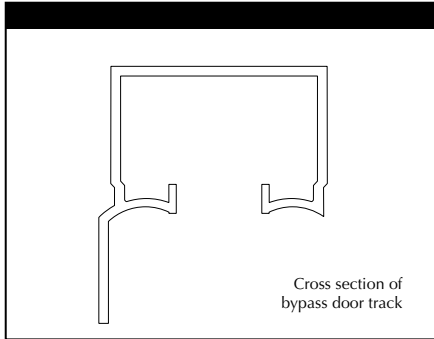


Steel stud used for frame reinforcement at hinge jamb/sidelite. Furnished in 16 gage galvanized, with attached angle clips for installation. Must be drilled and tapped for hinge screws in the field.

Part number: STL-3R (for 300 series)
 STL-4R (for 400 series)
Standard lengths: 8'11"



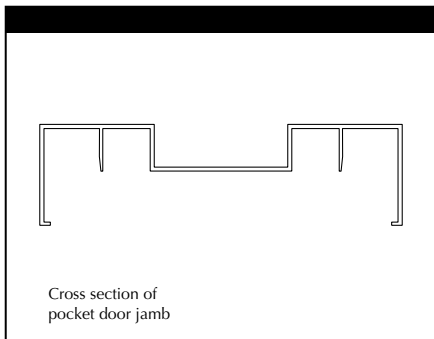
Stock Extrusions, Clips and Accessories



Bypass door track has fascia to hide hangers and opening between track and hangers. Two units fit into 300 series top track. May be used with 400 series extrusions with addition of wood filler block. Will accommodate ceiling height door. See Bifold, Bypass, Pocket tab for complete details.

Part number: 455

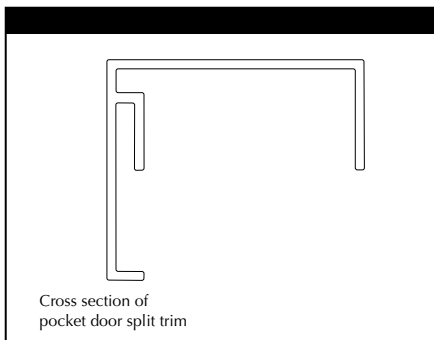
Standard lengths: 8'2"



Pocket door jamb mounts opposite the door pocket; with recess for complete closure and finished appearance. See Bifold, Bypass, Pocket tab for complete details.

Part number: 453

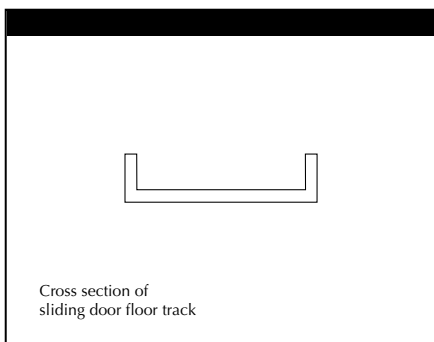
Standard lengths: 9'2"



Pocket door split trim covers both sides of door pocket opening. See Bifold, Bypass, Pocket tab for complete details.

Part number: 454

Standard lengths: 9'2"



Sliding door floor track is made from bronze colored vinyl. If continued across door opening, attach directly to floor and butt carpet up against sides. See Bifold, Bypass, Pocket tab for complete details.

Part number: 464

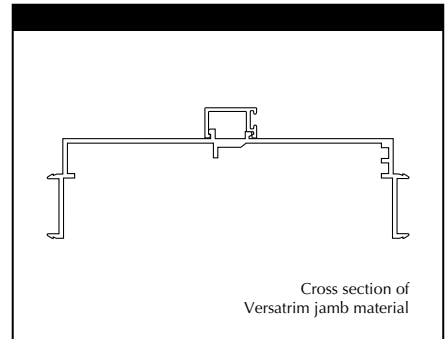
Standard lengths: 8'2"

Stock Extrusions, Clips and Accessories

Versatrim Jamb Material used for header as well as for hinge and strike jambs.

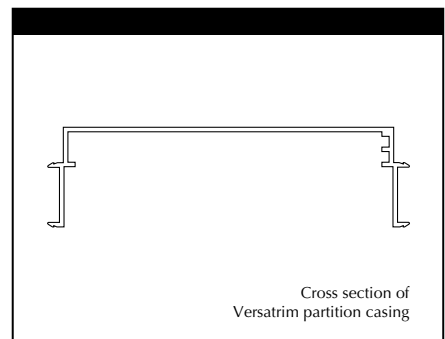
Part number: VT-1 Header
VT-2 Hinge Jamb
VT-3 Strike Jamb

Standard lengths: Fabricated to job requirements.
Jambs over 8'0" supplied with 2" extra length unless specified otherwise.



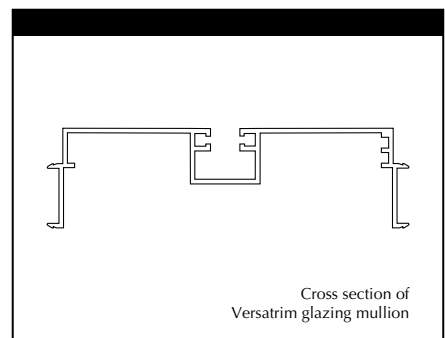
Versatrim Partition Casing is used for cased openings and double acting frames. Serves as a vertical end cap for wall ending at columns or window mullions.

Part number: 373/473
Standard length: 9'2"



Versatrim Glazing Mullion jamb acts as a mullion or header for glass, or as a jamb where glass and drywall meet.

Part number: 376S/476S
Standard length: 9'2"

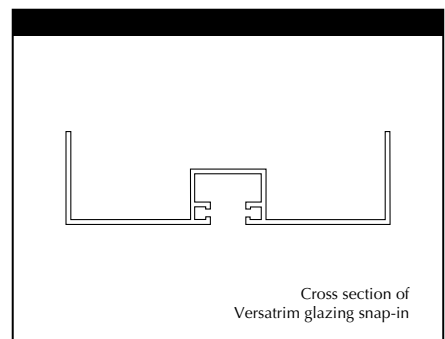


Versatrim Glazing Snap-in fits jambs and mullions.

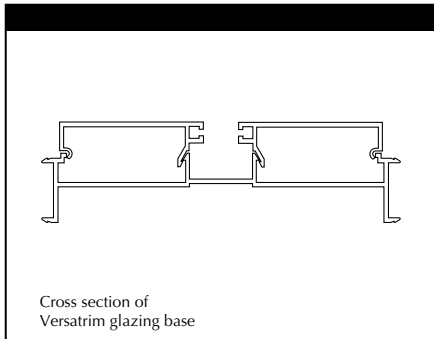
Part number: 377/477
Standard length: 9'2"

Versatrim Shallow Glazing Snap-in available for 1 1/2" trim.

Part number: 377S/477S
Standard length: 9'2"



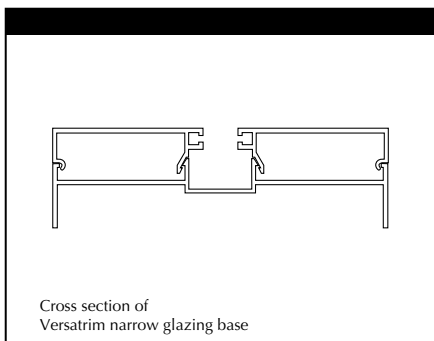
Stock Extrusions, Clips and Accessories



Versatrim Glazing Base and glazing snap. Designed as sill for sidelites and borrowed lites.

Part number: 378/379/379 or
478/479/479

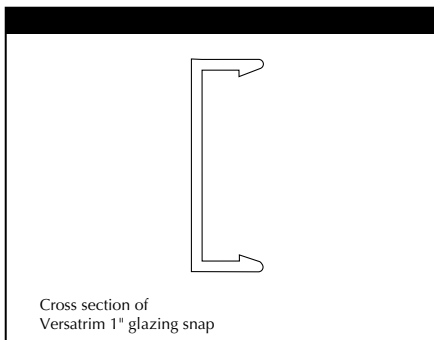
Standard lengths: 10'7"



Versatrim Narrow Glazing Base is used in conjunction with glazing mullion to form horizontal mullion or used with Versatrim header to form transom bar.

Part number: 378 1/379/379 or
478 1/479/479

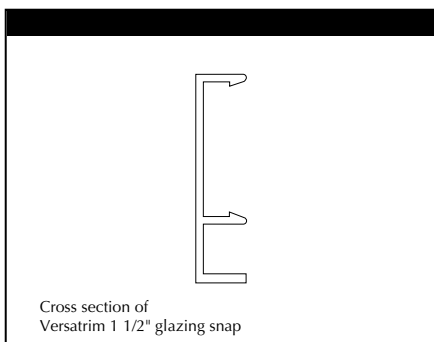
Standard lengths: 10'7"



Versatrim 1" Snap On Trim

Part number: S100

Standard lengths: 10'7"



Versatrim 1 1/2" Snap On Trim

Part number: S150

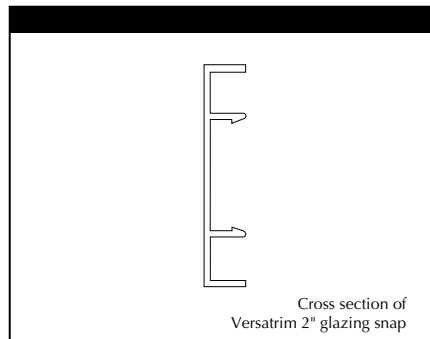
Standard lengths: 10'7"

Stock Extrusions, Clips and Accessories

Versatrim 2" Snap On Trim

Part number: S200

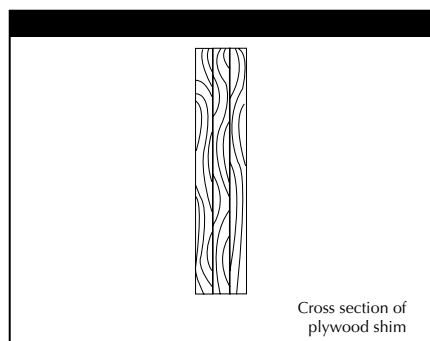
Standard lengths: 10'7"



Plywood shim, 5/8" thick.

Part number: W-5

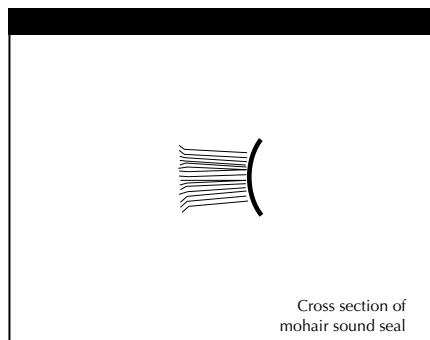
Standard lengths: 9'0"



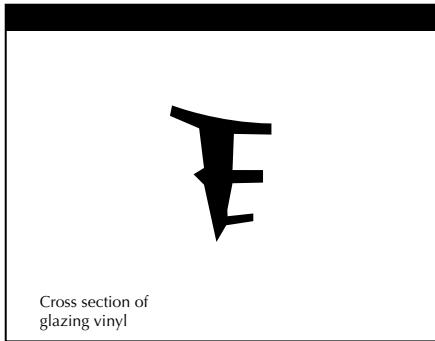
Mohair sound seal installed on frame stop, furnished in standard black. Other colors may be available upon request.

Part number: A-1 Black

Standard length: 200 ft. rolls



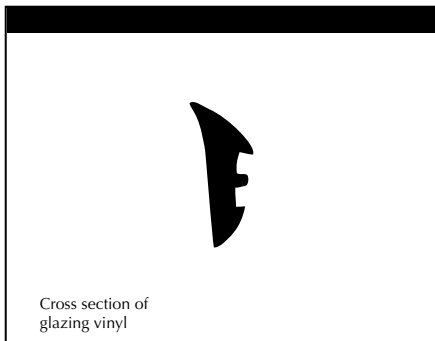
Stock Extrusions, Clips and Accessories



Glazing vinyl used on one side of glass only. Furnished in bronze and black, for 1/4" glass.

Part number: V-2 Bronze V-4 Gray
V-3 Black V-5 White

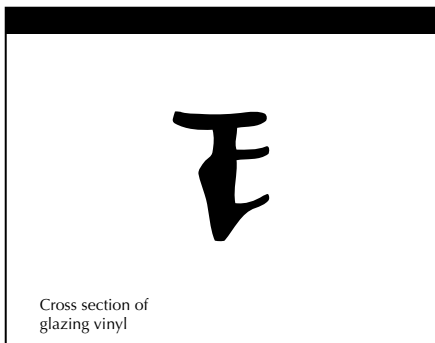
Standard lengths: 500 ft. rolls



Glazing vinyl used whenever 3/8" glass is used.

Part number: V-2A Bronze V-4A Gray
V-3A Black V-5A White

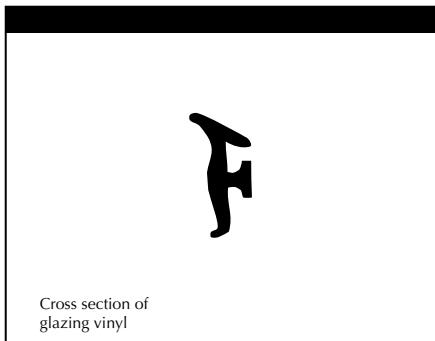
Standard lengths: 500 ft. rolls



Versatrim Glazing vinyl for use with 1/4" glass. Installed opposite the V-6P glazing vinyl.

Part number: V-6P Bronze V-6P Gray
V-6P Black

Standard lengths: 500 ft. rolls



Versatrim Glazing vinyl for use with 1/4" glass.

Note: V-6S vinyl must be inserted into aluminum prior to installation.

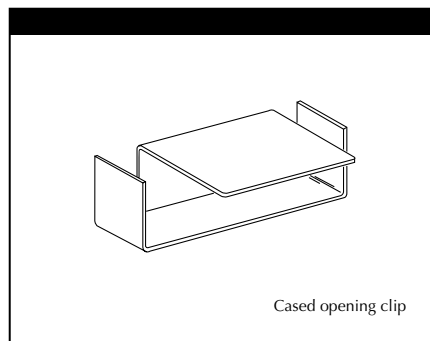
Part number: V-6S Bronze V-6S Gray
V-6S Black

Standard lengths: 500 ft. rolls

Stock Extrusions, Clips and Accessories

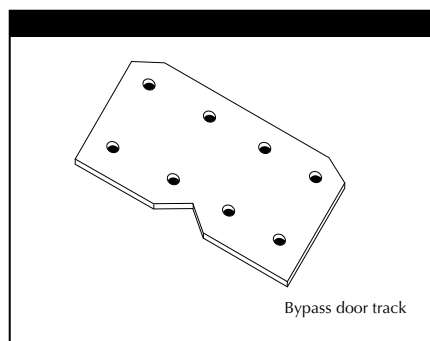
Cased opening clip attached directly to vertical steel stud. Drywall allows positive snap-on mounting of cased opening 313R or 413R at wall ends without use of adhesive or exposed screws.

Part number: K-20R/K-40R



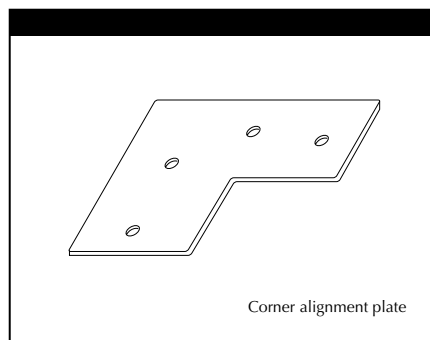
Straight alignment plate fits inside top track 303R or 403R to ensure perfect alignment at all butt joints.

Part number: K-5R



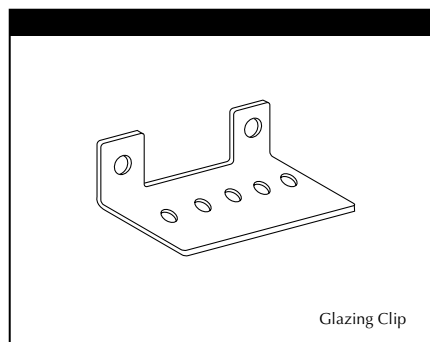
Corner alignment plate mounts in back to ensure top track alignment at 90° corner

Part number: K-6

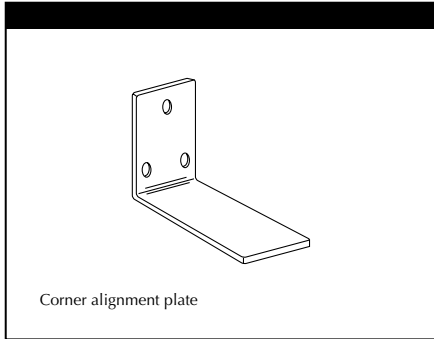


Glazing clip used for connecting vertical and horizontal glazing mullions when using 303R or 403R top track as header.

Part number: K-2

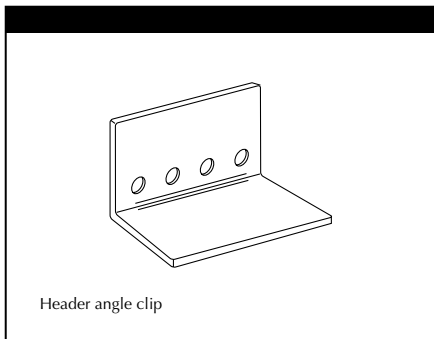


Stock Extrusions, Clips and Accessories



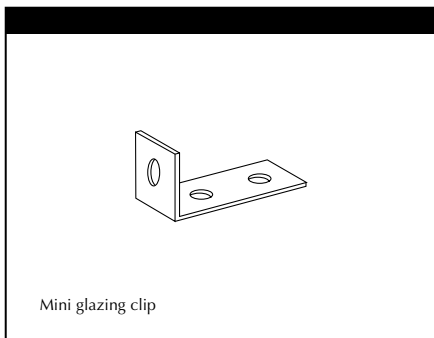
Angle clip used to connect hinge jamb to header at sidelite.

Part number: K-10



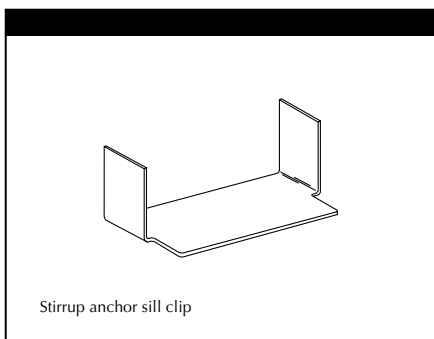
Header angle clip mounted on conventional header for attaching to frame jambs.

Part number: K-9



Mini glazing clip used for attaching base and horizontal mullions at vertical members. Can also be used instead of K-2 clip.

Part number: K-56 B



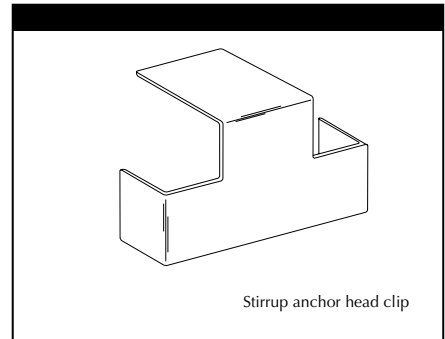
Stirrup anchor sill clip used for sidelite jamb to floor connection. Also for intermediate mullion to floor connection.

Part number: K-16S R

Stock Extrusions, Clips and Accessories

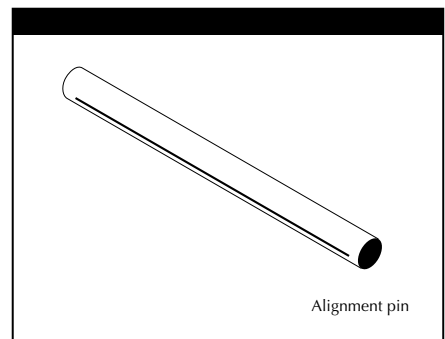
Stirrup anchor head clip used for sidelite jamb to header connection. Used for header connection where glazing terminates at end cap.

Part number: K-16H R



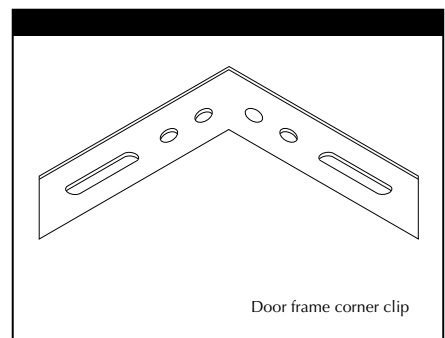
Alignment pin fits top track, H-mullion, cased opening and some trim sections.

Part number: RP-1



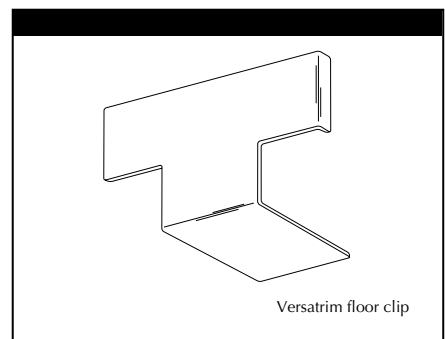
Corner clip aligns miter corner connections of adjustable aluminum door frame headers and jambs. Aligns corners of Versatrim sidelites and borrowed lites.

Part number: K-14

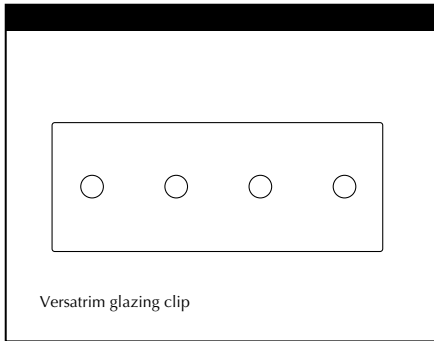


Versatrim floor clip can be used for sidelite jamb to floor connection.

Part number: K-16V

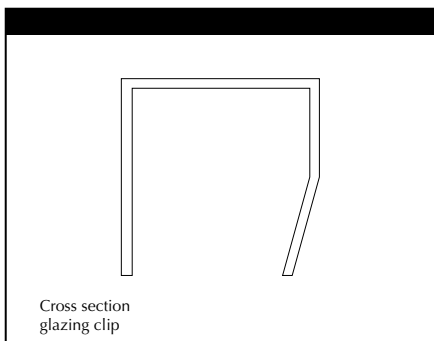


Stock Extrusions, Clips and Accessories



Versatrim Glazing Clip is used for connecting vertical and horizontal glazing mullion.

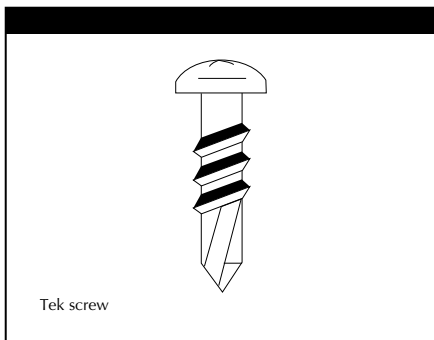
Part number: K-1



Clip straddles glass offset of 307R/407R; resists force exerted by glazier during installation of glazing vinyl.

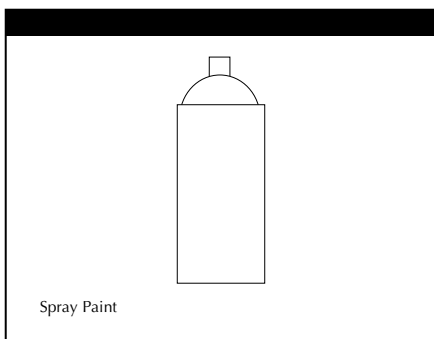
Part number: K-35

Quantity: Bulk



Aluminum framing screw 16 x 5/8" phillips pan head TEK screw.

Part number: T-10



Spray paint to match standard colors.

Part number: SP-4 Dark Bronze
SP-5 Black
SP-7 White